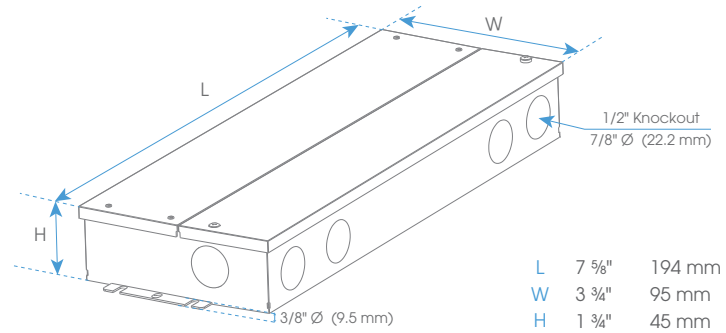


DL-PS-60/24-JB-OD-S

24V DC LED POWER SUPPLIES
HARDWIRE IN JUNCTION BOX ENCLOSURE



Fixture Type
Project
Notes



With 24V DC, 60W LED driver and universal input voltage - 100 to 277V AC, this driver is IP66, indoor/outdoor - for dry, damp and wet locations, with cooling by free air convection and short circuit, over temperature and over loading protection. Made with metal enclosure with (6) 7/8" knockouts has Efficiency > 85% @120V AC and Built-in PFC function with Power Factor > 0.99 @120V AC. Certified with UL8750 and UL1310 Listed. Class 2 and Class P power unit and weights 1.1 kg (2.4 lb).



CLASS 2
CLASS P

SPECIFICATIONS

INPUT

INPUT VOLTAGE	100 - 277V AC
INPUT FREQUENCY	47-63Hz
INPUT CURRENT (MAX.)	0.9A @100V AC
POWER FACTOR (TYP.) @ FULL LOAD	0.99 @120V AC 0.94 @277V AC
THD (TYP.) @ FULL LOAD	<15% @120V <20% @277V
EFFICACY (TYP.) @ FULL LOAD	85% @120V AC 86% @277V AC
INRUSH CURRENT (TYP.)	14A, 50%, 780µs @120V AC 15A, 50%, 660µs @277V AC
LEAKAGE CURRENT	<0.50mA

OUTPUT

OUTPUT VOLTAGE	24V AC
RELATED OUTPUT POWER	60W
RATED LOAD CURRENT	2.50A
VOLTAGE ACCURACY	+/-0.5V
VOLTAGE REGULATION	+/-0.5V%
LOAD REGULATION	+/-1%

ENVIRONMENT

IP RATINGS	IP66, Indoor/Outdoor - For Dry, Damps and Wet locations
OPERATING AMBIENT TEMPERATURE†	-40° C to 60° C (-40° F to +140° F)
OPERATING AMBIENT HUMIDITY	20-90% RH, non-condensing
STORAGE TEMPERATURE	-40° C to +80° C (-40° F to +176° F)
STORAGE HUMIDITY	10-95% RH
TEMPERATURE COEFFICIENT	+/-0.03%/°C (0-50°C)
VIBRATION	10-500Hz, 5G 10min./1 cycle period for 60min, each along X, Y and Z axes

† See Derating Curve

SAFETY & EMC

SAFETY STANDARDS	UL8750 and UL1310
WITHSTAND VOLTAGE	I/P-O/P: 1.88KV AC
ISOLATION RESISTANCE	I/P-O/P: 100MΩ / 500V DC / 25° C / 70% RH
EMC EMISSION	FCC Part 15 B

PROTECTION

SHORT CIRCUIT	Shut down o/p voltage, re-power on to recover after fault condition is removed
OVER LOADING	≤120% Hiccup mode, recovers automatically after fault condition is removed
OVER TEMPERATURE	212°F +/- 50°F (100°C +/- 10°C) shut down o/p voltage, automatically recover after cooling

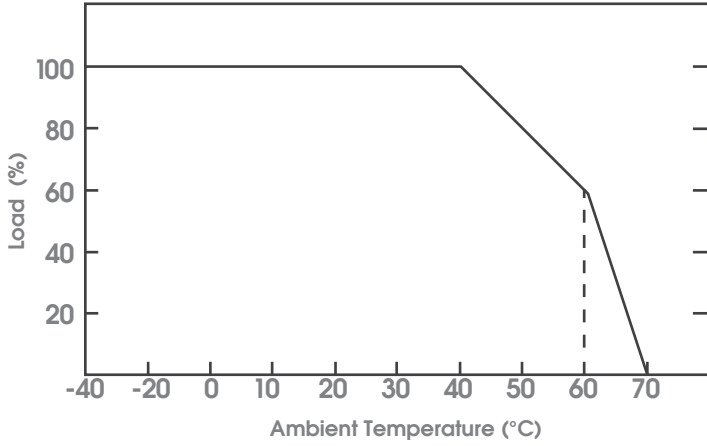
DL-PS-60/24-JB-OD-S

24V DC LED POWER SUPPLIES
HARDWARE IN JUNCTION BOX ENCLOSURE

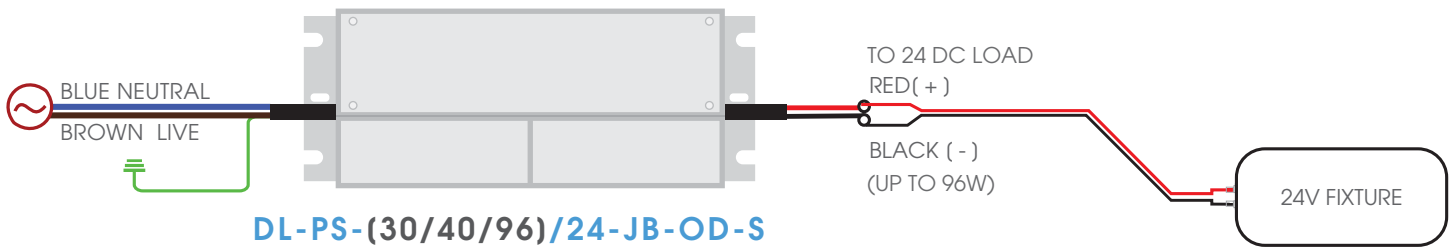


Fixture Type
Project
Notes

DERATING CURVE



WIRING DIAGRAM



TYPICAL DIRECT WIRING